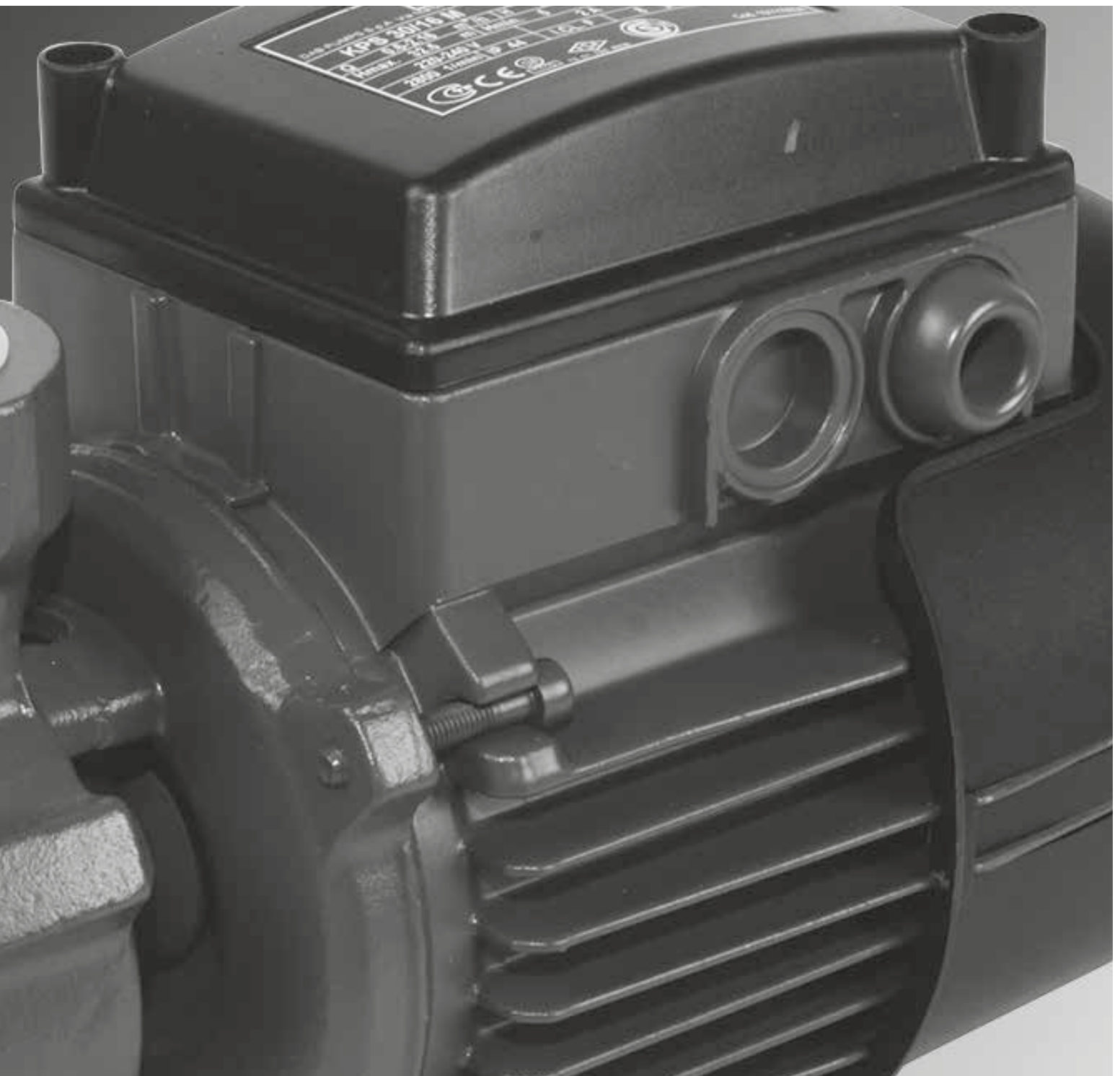
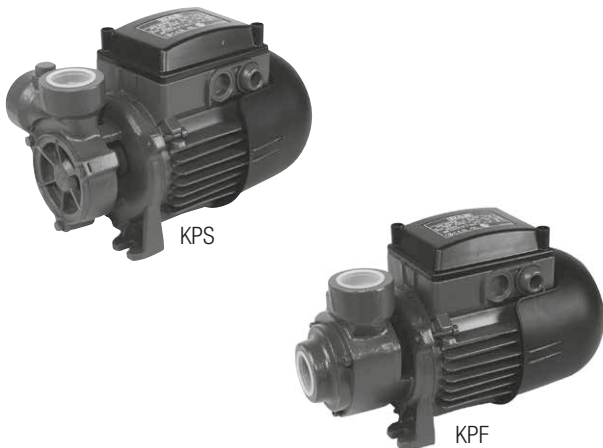


# KPS-KPF

PERIPHERAL PUMPS







### TECHNICAL DATA

**Minimum and maximum flow rate:** from 0.3 m<sup>3</sup>/h to 3 m<sup>3</sup>/h  
**Maximum head:** 84 m

**Type of pumped liquid:** clean, free of solids and abrasives, non-viscous, non-aggressive, non-crystallised and chemically neutral

**Min. and max. supported liquid temperature:**

from +0 °C to +35 °C for domestic use

from -10 °C to +50 °C for other uses

**Maximum ambient temperature:** +40 °C

**Maximum operating pressure bar / kPa:**

6 bar / 600 kPa for KPS 30/16, KPF 30/16 and KPS 38/18

8 bar / 800 kPa for other models

**Motor protection class:** IP 44

**Motor insulation class:** F

**Impeller/s material:** brass

**Single phase power input:** 230 V 50 Hz

**Three phase power input:** 3x230 V 50 Hz / 3x400 V 50 Hz

**Power cable (m) and plug:** not supplied

**Possible type of installation:** fixed, horizontal position

**Special versions on request:** special seals

Peripheral centrifugal pumps for use in domestic and residential applications for pressure boosting, reuse of rainwater, gardening and irrigation.

### CONSTRUCTION FEATURES OF THE PUMP

KPS has threaded lateral suction and cast iron body which has undergone cathoporesis treatment. KPF has threaded front suction. Cast iron support with brass adjustment ring for KPS 30/16 and KPS 38/18 models. Carbon-ceramic mechanical seal. Brass impeller.

### CONSTRUCTION FEATURES OF THE MOTOR

Air-cooled asynchronous motor. AISI 416 stainless steel motor shaft. Single-phase version with built-in thermal and current protection, and permanent split capacitor as standard. Protection to be provided by the user for the three-phase versions.

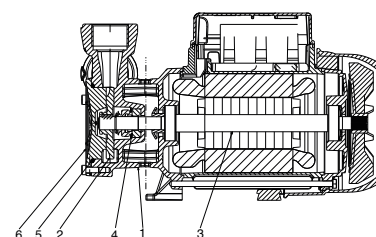
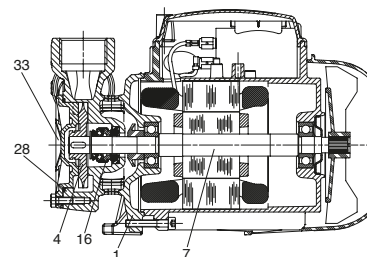
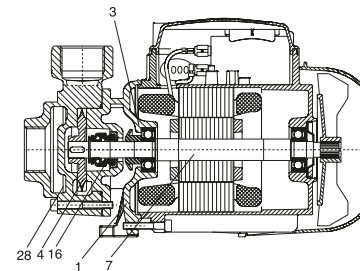
## MATERIALS

| N. | PARTS* KPF       | MATERIALS                                       |
|----|------------------|---|
| 1  | PUMP BODY        | G20 EN-GJL-250 UNI EN 1561                      |
| 3  | MOT. PUMP SUPP.  | G20 EN-GJL-250 UNI EN 1561                      |
| 4  | IMPELLER         | BRASS PCU ZN 40 PB2 UNI 5705/65                 |
| 7  | SHAFT WITH ROTOR | AISI 416 STAINLESS STEEL X12 CRS 13 UNI 6900/71 |
| 16 | MECHANICAL SEAL  | CARBON / CERAMIC                                |
| 28 | OR RING          | NBR   |

| N. | PARTS* KPS       | MATERIALS                                       |
|----|------------------|---|
| 1  | PUMP BODY        | CAST IRON 200 UNI ISO 185                       |
| 4  | IMPELLER         | BRASS PCU ZN 40 PB2 UNI 5705/65                 |
| 7  | SHAFT WITH ROTOR | AISI 416 STAINLESS STEEL X12 CRS 13 UNI 6900/71 |
| 16 | MECHANICAL SEAL  | CARBON / CERAMIC                                |
| 28 | OR RING          | NBR   |
| 33 | COVER            | BRASS PCU ZN 40 PB2 UNI 5705/65                 |

| N. | PARTS* KPS 38/18 | MATERIALS                       |
|----|------------------|---------------------------------|
| 1  | PUMP BODY        | EN GJL200 UNI EN 1561           |
| 2  | IMPELLER         | BRASS P-CU ZN40 PB2 UNI 5705/75 |
| 3  | SHAFT WITH ROTOR | AISI 416 X12CRS13 UNI6900/71    |
| 4  | MECHANICAL SEAL  | CARBON / CERAMIC                |
| 5  | OR RING          | NBR                             |
| 6  | COVER            | BRASS P-CU ZN40 PB2 UNI 5705/75 |

\* In contact with the liquid



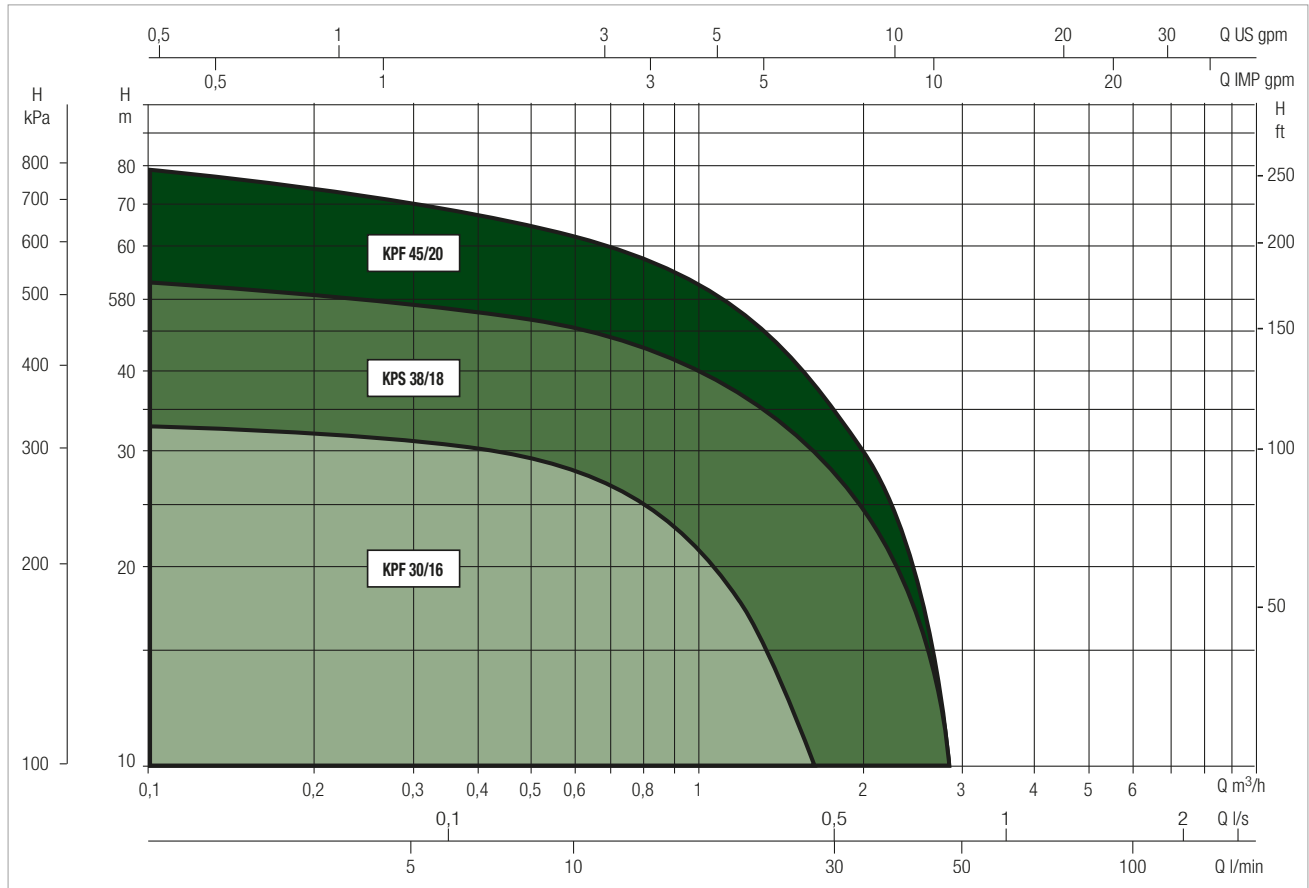
# KPS / KPF RANGE

## PERIPHERAL PUMPS

### PERFORMANCE RANGE

The performance curves are based on kinematic viscosity values = 1 mm<sup>2</sup>/s and density equal to 1000 kg/m<sup>3</sup>. Curve tolerance according to ISO 9906.

### GRAPHIC SELECTION TABLE



### SELECTION TABLE

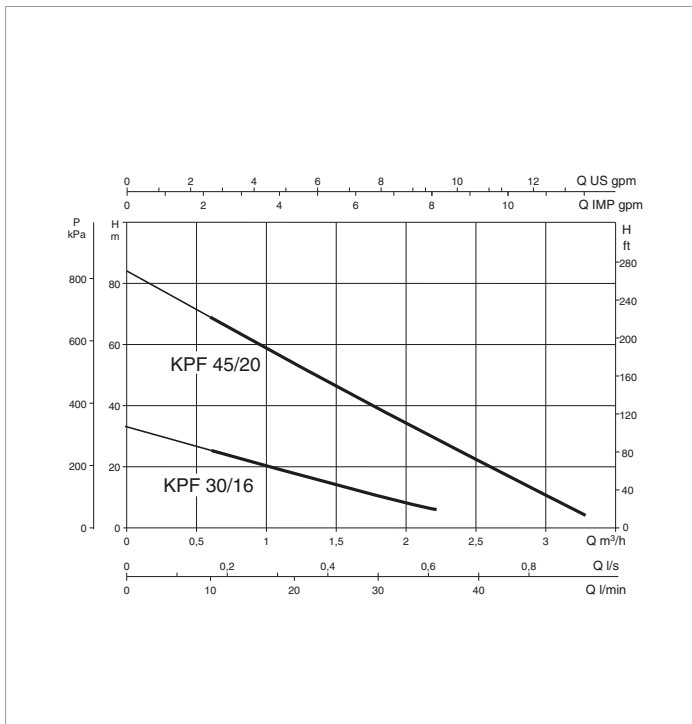
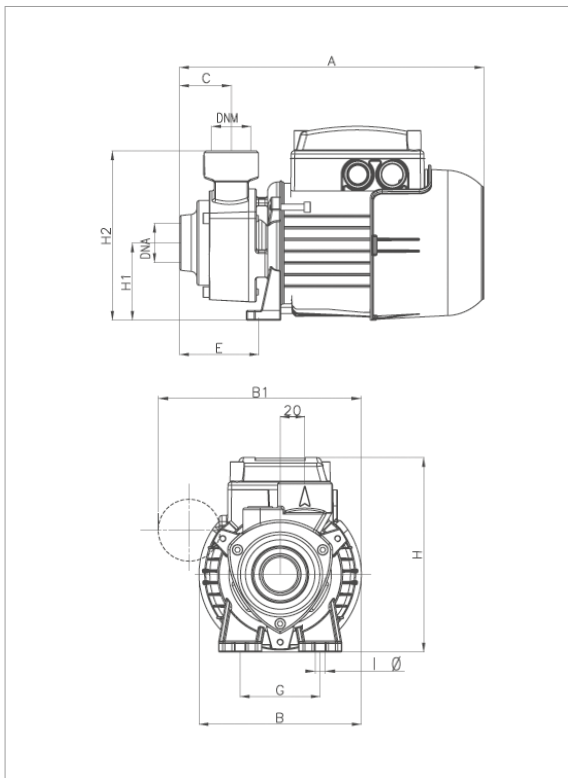
| MODEL           | Q= m <sup>3</sup> /h | 0    | 0.3 | 0.6 | 0.9 | 1.2  | 1.8  | 2.4  |
|-----------------|----------------------|------|-----|-----|-----|------|------|------|
|                 | Q=l/min              | 0    | 5   | 10  | 15  | 20   | 30   | 40   |
| KPF 30/16 M - T | H<br>(m)             | 32.5 | 31  | 25  | 22  | 17.5 | 10   |      |
| KPS 30/16 M - T |                      | 32.5 | 31  | 25  | 22  | 17.5 | 10   |      |
| KPS 30/16 M-P*  |                      | 32.5 | 31  | 25  | 22  | 17.5 | 10   |      |
| KPS 38/18 M - T |                      | 54   | 50  | 46  | 41  | 36   | 27.5 | 17.5 |
| KPF 45/20 M - T |                      | 84   | 76  | 68  | 62  | 56   | 38   | 24   |

\* KPS-ready for use - Peripheral electric pump with manometer, pressure switch, power supply cable with plug, and 5-way fitting for connection to a tank.

## KPF - PERIPHERAL PUMPS

Pumped liquid temperature range: from 0 °C to +35 °C for domestic use. From -10 °C to +50 °C for other uses.

Maximum ambient temperature: +40 °C



The performance curves are based on kinematic viscosity values = 1 mm<sup>2</sup>/s and density equal to 1000 kg/m<sup>3</sup>. Curve tolerance according to ISO 9906.

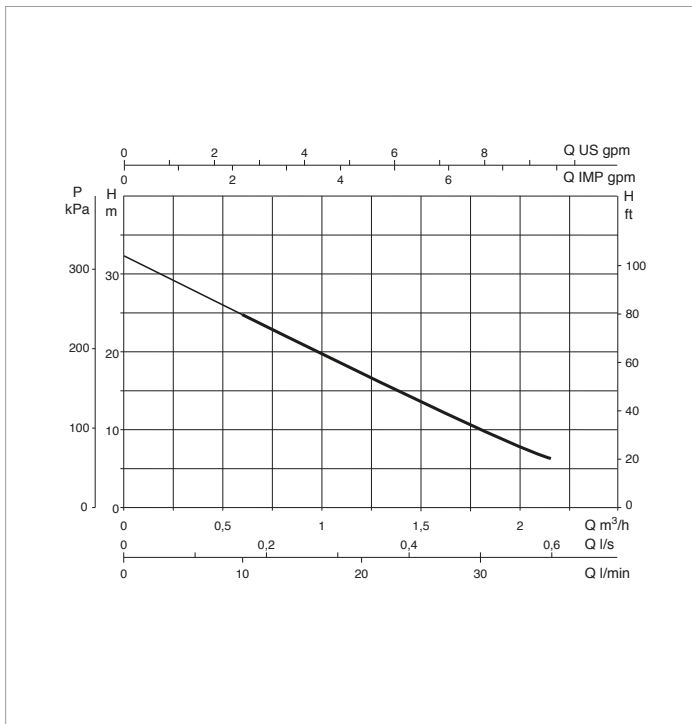
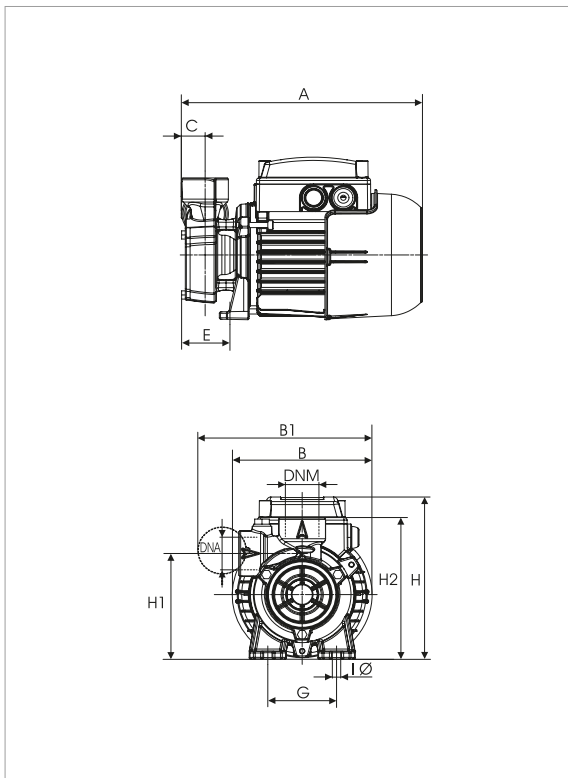
| MODEL       | ELECTRICAL DATA      |              |            |      |           |           |     |
|-------------|----------------------|--------------|------------|------|-----------|-----------|-----|
|             | POWER INPUT<br>50 Hz | P1 MAX<br>kW | P2 NOMINAL |      | In<br>A   | CAPACITOR |     |
|             |                      |              | kW         | HP   |           | µF        | Vc  |
| KPF 30/16 M | 1 x 230 V ~          | 0.53         | 0.37       | 0.5  | 2.37      | 8         | 450 |
| KPF 30/16 T | 3 x 230 - 400 V ~    | 0.47         | 0.37       | 0.5  | 1.42/0.82 | -         | -   |
| KPF 45/20 M | 1 x 230 V ~          | 1.5          | 1          | 1.34 | 6.7       | 25        | 450 |
| KPF 45/20 T | 3 x 230 - 400 V ~    | 1.2          | 1          | 1.34 | 4/2.3     | -         | -   |

| MODEL           | A   | B   | B1  | C  | E  | F | G   | I Ø | H   | H1 | H2  | DNA  | DNM  | PACKING DIMENSIONS |     |     | VOLUME<br>(m <sup>3</sup> ) | WEIGHT<br>kg |
|-----------------|-----|-----|-----|----|----|---|-----|-----|-----|----|-----|------|------|--------------------|-----|-----|-----------------------------|--------------|
|                 |     |     |     |    |    |   |     |     |     |    |     |      |      | L/A                | L/B | H   |                             |              |
| KPF 30/16 M - T | 247 | 132 | 165 | 42 | 64 | - | 65  | 8   | 158 | 63 | 138 | 1" G | 1" G | 262                | 140 | 180 | 0.0066                      | 5.3          |
| KPF 45/20 M - T | 315 | 155 | -   | 55 | 95 | - | 112 | 7   | 188 | 78 | 163 | 1" G | 1" G | 325                | 165 | 198 | 0.0106                      | 9            |

## KPS 30/16 - PERIPHERAL PUMPS

Pumped liquid temperature range: from 0 °C to +35 °C for domestic use. From -10 °C to +50 °C for other uses.

Maximum ambient temperature: +40 °C



The performance curves are based on kinematic viscosity values = 1 mm<sup>2</sup>/s and density equal to 1000 kg/m<sup>3</sup>. Curve tolerance according to ISO 9906.

| MODEL          | ELECTRICAL DATA      |              |            |     |         |           |     |
|----------------|----------------------|--------------|------------|-----|---------|-----------|-----|
|                | POWER INPUT<br>50 Hz | P1 MAX<br>kW | P2 NOMINAL |     | In<br>A | CAPACITOR |     |
|                |                      |              | kW         | HP  |         | µF        | Vc  |
| KPS 30/16 M    | 1 x 230 V ~          | 0.47         | 0.37       | 0.5 | 2       | 8         | 450 |
| KPS 30/16 T    | 3 x 230 - 400 V ~    | 0.45         | 0.37       | 0.5 | 1.4/0.8 | -         | -   |
| KPS 30/16 M-P* | 1 x 230 V ~          | 0.47         | 0.37       | 0.5 | 2       | 8         | 450 |

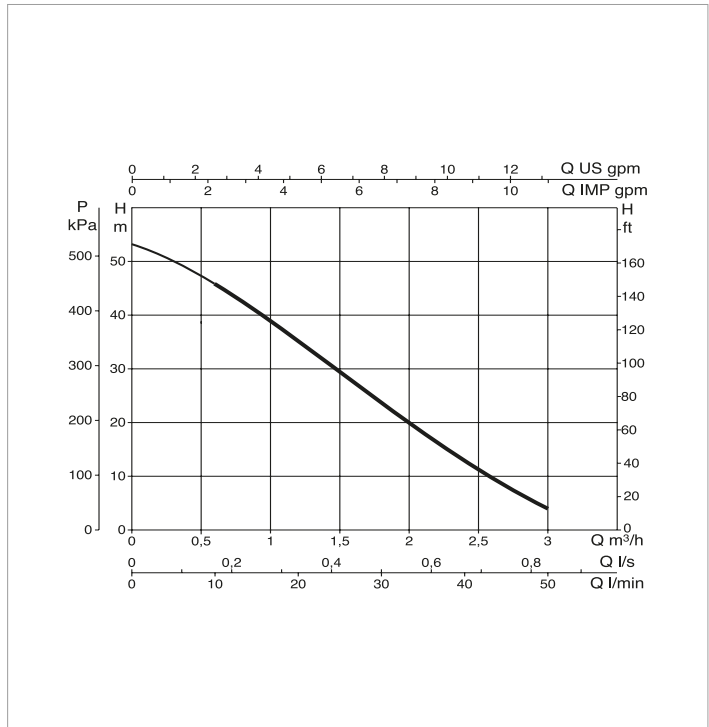
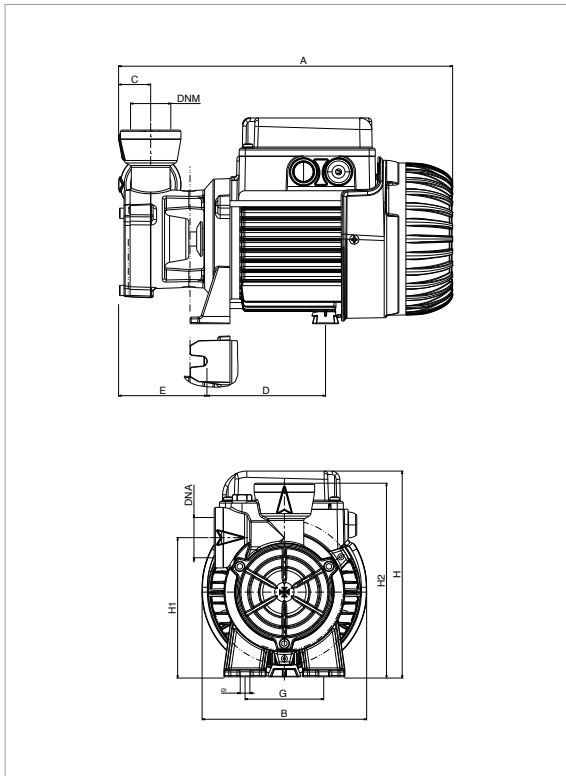
| MODEL           | A   | B   | B1  | C  | E  | F | G  | I Ø | H   | H1  | H2  | DNA  | DNM  | PACKING DIMENSIONS |     |     | VOLUME<br>(m <sup>3</sup> ) | WEIGHT<br>kg |
|-----------------|-----|-----|-----|----|----|---|----|-----|-----|-----|-----|------|------|--------------------|-----|-----|-----------------------------|--------------|
|                 |     |     |     |    |    |   |    |     |     |     |     |      |      | L/A                | L/B | H   |                             |              |
| KPS 30/16 M - T | 228 | 132 | 165 | 22 | 46 | - | 65 | 8   | 158 | 103 | 138 | 1" G | 1" G | 259                | 164 | 197 | 0.0084                      | 5.4          |
| KPS 30/16 M-P*  | 228 | 132 | 165 | 22 | 46 | - | 65 | 8   | 158 | 103 | 138 | 1" G | 1" G | 259                | 164 | 197 | 0.0084                      | 5.4          |

\* KPS-ready for use - Peripheral electric pump with manometer, pressure switch, power supply cable with plug, and 5-way fitting for connection to a tank.

## KPS 38/18 - PERIPHERAL PUMPS

Pumped liquid temperature range: from 0 °C to +35 °C for domestic use. From -10 °C to +50 °C for other uses.

Maximum ambient temperature: +40 °C



The performance curves are based on kinematic viscosity values = 1 mm²/s and density equal to 1000 kg/m³. Curve tolerance according to ISO 9906.

| MODEL       | ELECTRICAL DATA      |              |            |     |         |           |     |
|-------------|----------------------|--------------|------------|-----|---------|-----------|-----|
|             | POWER INPUT<br>50 Hz | P1 MAX<br>kW | P2 NOMINAL |     | In<br>A | CAPACITOR |     |
|             |                      |              | kW         | HP  |         | µF        | Vc  |
| KPS 38/18 M | 1 x 230 V ~          | 0.89         | 0.6        | 0.8 | 4       | 12.5      | 450 |
| KPS 38/18 T | 3 x 230 - 400 V ~    | 0.86         | 0.6        | 0.8 | 2.9-1.7 | -         | -   |

| MODEL           | A   | B   | B1 | C    | E  | F | G  | I Ø | H   | H1  | H2  | DNA  | DNM  | PACKING DIMENSIONS |     |     | VOLUME<br>(m³) | WEIGHT<br>kg |
|-----------------|-----|-----|----|------|----|---|----|-----|-----|-----|-----|------|------|--------------------|-----|-----|----------------|--------------|
|                 |     |     |    |      |    |   |    |     |     |     |     |      |      | L/A                | L/B | H   |                |              |
| KPS 38/18 M - T | 276 | 136 | -  | 26.5 | 73 | - | 65 | 8   | 170 | 115 | 160 | 1" G | 1" G | 304                | 148 | 195 | 0.01           | 7.5          |







# DAB

PUMPS SELECTOR



## On-line product selection

 **DAB PUMPS LTD.**  
6 Gilbert Court  
Newcomen Way  
Severalls Business Park  
Colchester  
Essex  
CO4 9WN - UK  
[salesuk@dwtgroup.com](mailto:salesuk@dwtgroup.com)  
Tel. +44 0333 777 5010

 **DAB PUMPS IBERICA S.L.**  
Calle Verano 18-20-22  
28850 - Torrejón de Ardoz - Madrid  
Spain  
[Info.spain@dwtgroup.com](mailto:Info.spain@dwtgroup.com)  
Tel. +34 91 6569545  
Fax: +34 91 6569676

 **DAB PUMPS SOUTH AFRICA (PTY) LTD**  
Twenty One industrial Estate,  
16 Purlin Street, Unit B, Warehouse 4  
Olifantsfontein -1666 - South Africa  
[info.sa@dwtgroup.com](mailto:info.sa@dwtgroup.com)  
Tel. +27 12 361 3997

 **DAB PUMPS BV**  
"Hofveld 6 C1  
1702 Groot Bijgaarden - Belgium  
[info.belgium@dwtgroup.com](mailto:info.belgium@dwtgroup.com)  
Tel. +32 2 4668353

 **DAB PUMPS HUNGARY KFT.**  
H-8800  
Nagykanizsa, Buda Ernő u.5  
Hungary  
Tel. +36 93501700

 **DAB PUMPS (QINGDAO) CO. LTD.**  
No.40 Kaituo Road, Qingdao Economic & Technological  
Development Zone  
Qingdao City, Shandong Province - China  
PC: 266500  
[sales.cn@dwtgroup.com](mailto:sales.cn@dwtgroup.com)  
Tel. +86 400 186 8280  
Fax +86 53286812210

 **DAB PUMPS B.V.**  
Albert Einsteinweg, 4  
5151 DL Drunen - Nederland  
[info.netherlands@dwtgroup.com](mailto:info.netherlands@dwtgroup.com)  
Tel. +31 416 387280  
Fax +31 416 387299

 **DAB PUMPS POLAND Sp. z o.o.**  
Ul. Janka Muzykanta 60  
02-188 Warszawa - Poland  
[polska@dabpumps.com.pl](mailto:polska@dabpumps.com.pl)

 **DAB PUMPS DE MÉXICO, S.A. DE C.V.**  
Av Amsterdam 101 Local 4  
Col. Hipódromo Condesa,  
Del. Cuauhtémoc CP 06170  
Ciudad de México  
Tel. +52 55 6719 0493

 **DAB PUMPS GMBH**  
Am Nordpark 3  
D - 41069 Mönchengladbach - Germany  
[info.germany@dwtgroup.com](mailto:info.germany@dwtgroup.com)  
Tel. +49 2161 47388-0  
Fax +49 2161 47388-36

 **OOO DAB PUMPS**  
Novgorodskaya str. 1, block G  
office 308, 127247, Moscow - Russia  
[info.russia@dwtgroup.com](mailto:info.russia@dwtgroup.com)  
Tel. +7 495 122 0035  
Fax +7 495 122 0036

 **DAB PUMPS OCEANIA PTY LTD**  
426 South Gippsland Hwy,  
Dandenong South VIC 3175 - Australia  
[info.oceania@dwtgroup.com](mailto:info.oceania@dwtgroup.com)  
Tel. +61 1300 378 677

 **DAB PUMPS INC.**  
3226 Benchmark Drive  
Ladson, SC 29456 - USA  
[info.usa@dwtgroup.com](mailto:info.usa@dwtgroup.com)  
Tel. 1- 843-797-5002  
Fax 1-843-797-3366